

GROW & IMPACT

—
SAINT-GOBAIN CLIPPER MODULAR SOLUTIONS

SAINT-GOBAIN

MAKING THE WORLD A BETTER HOME





MAKING THE WORLD A BETTER HOME



Our Purpose

Is to design and provide solutions that have a positive impact on everyone's life and well being besides caring for the planet.

Our Call to action

Guide our actions for a futuristic goal, enabling our partners and clients towards renewed ambition and a better world.

Our Ambition

To Make The World A Beautiful And Sustainable Place To Live.

GLOBAL PRESENCE



Commitment to achieve
carbon neutrality in 2050



World leader in most
of our businesses

History

355+ years

Locations

75 countries

Research Centres

8
cross-business global R&D centers

Strength

168,000
Employees across the globe

Manufacturing Facilities

900
manufacturing facilities
around the world

Sales Outlets

2,700
sales outlets



IDEATE. INNOVATE. IMPLEMENT

Focus our innovation efforts on customer needs

Development of solutions to meet specific needs of our Customer across the globe

Adapt an open innovative approach

Partner with start-ups, Technical JV, Academic collaborations

Explore new business models

Marketplaces, intermediary platforms, Product Services, License technologies, concept sales.

8 Centers

Saint-Gobain Research cross-business R&D centers

Over 100

Development centers

More than 3,600

researchers

More than 3,400

people in marketing, in contact with customers

Over 400

patents filed each year



INTRODUCING



HARDWARE SOLUTIONS

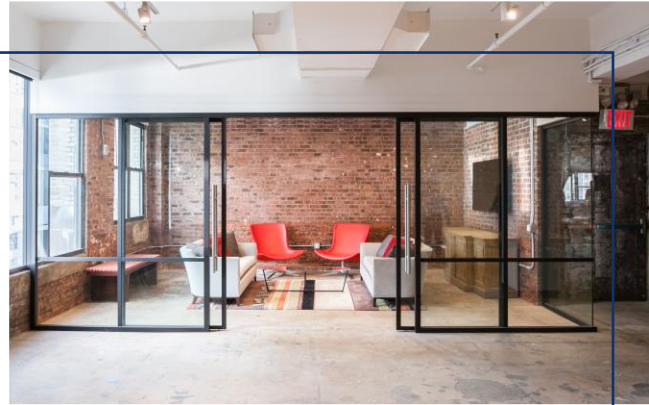


SOLUTIONS FOR GLASS HARDWARE



Entrance Systems

- **Glass Door Packages**
- **Facade & Canopy fittings**
- **Sliding door systems (Manual, Sliding folding, Horizontal Folding)**
- **Door fittings & Furniture accessories**



Commercial Interiors

- **Modular Glass Partitions**
- **Modular Solid Partitions**
- **Flexi Partitions**
- **Modular Restroom Partitions**



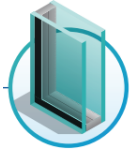
Premium Homes

- **Frameless Glass Balustrades**
- **Shelf Solutions**
- **Spigots**
- **Adjustable Glass Brackets**

OUR COMMITMENT TO SUSTAINABILITY



Upto 50% lighter than traditional construction



Energy-efficient Insulating Glass Units



Transition to Carbon Free Systems



Modular Recyclable Solutions

**SAINT-GOBAIN
CLIPPER
MODULAR
SOLUTIONS**



SG CLIPPER *SLEEK*



SG CLIPPER *HEXA*



SG CLIPPER *OCTA*



SG CLIPPER *INFLUENCE*





**BESPOKE SOLUTIONS -
CUSTOMIZATION AT YOUR CONVENIENCE !**

SG CLIPPER *SLEEK*





 **Acoustics – Upto 36 dB**

 **Glass – 8 to 13.52 mm**

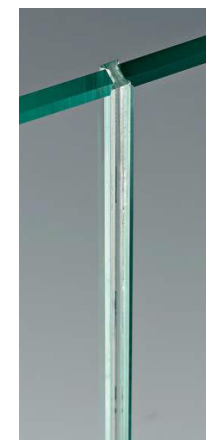
 **Profile – 21 mm x 30 mm**



Profix



Snapfix

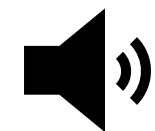


Glass to Glass Joint

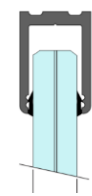
Sleek is the sleekest customized Glass Partition solutions which can accommodate upto **13.52 mm thick glass** & also have acoustics upto **36 dB**

SG CLIPPER *HEXA*

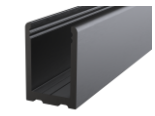




Acoustics – Upto 39 dB



Glass – 17.52 to 21.52 mm



Profile – 30 mm x 40 mm



Profix



Snapfix

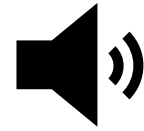


T Connecting Profile

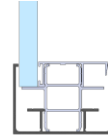
Presenting *Hexa Range* of Clipper Partitions - customized range of Glass Partition solutions, that can accommodate glass thickness upto *21.52 mm* & can provide acoustics upto *39 dB*

SG CLIPPER OCTA

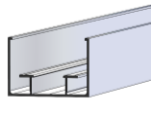




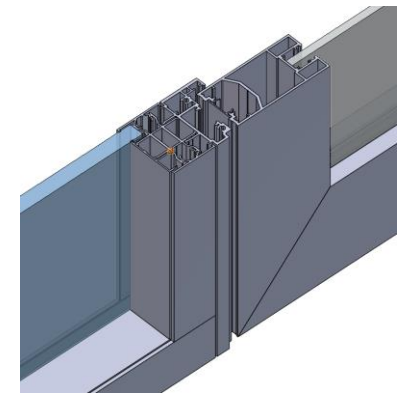
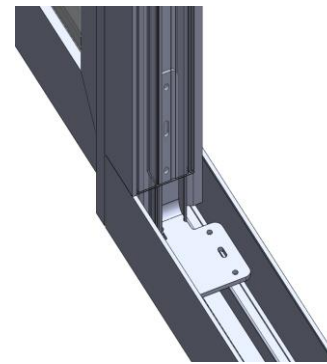
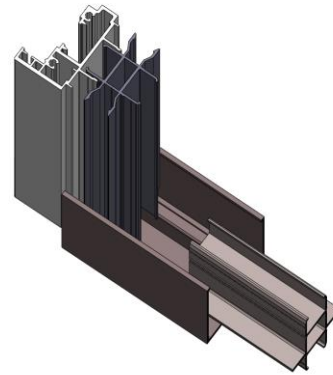
Acoustics – Upto 39 dB



Glass – 8 to 12.52 mm



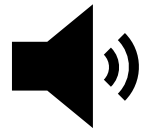
Profile – 55 mm x 38 mm



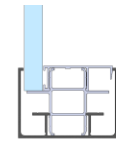
Presenting **Octa Range** of Clipper Partitions - customized range of Glass Partition solutions, that can accommodate glass thickness upto **12.52 mm** & can provide acoustics upto **39 dB**

SG CLIPPER ***INFLUENCE***

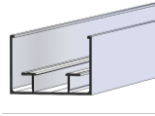




Acoustics – Upto 49 dB



Glass – 8 to 12.52 mm



Profile – 82 mm x 38 mm



GLAZED



SEMI-GLAZED



SOLID

Presenting *Influence Range* of Clipper Partitions - customized range of Glass Partition solutions, that can accommodate glass thickness upto *12.52 mm* & can provide acoustics upto *49 dB*

SG CLIPPER BOX



CLIPPER BOX



1 – Sound-Proof Ceiling & Floor

2 – SG Priva Glass

3 – Finishes: Walnut & Grey

4 – 230 V Power Socket

5 – Integrated Ventilation

6 – Worktable

PHONE BOOTH



2-Seater Meeting room



DIMENSIONS

Exterior	927 x 972 x 2178 mm
Interior	863 x 903 x 2013 mm
Weight	200 Kg
Floor Area	946 x 877 mm
Door Size	927 x 2128 mm
Panel Size	928 x 2128 mm

ACCESSORIES

Lighting	LED Strips
Ventilation	35 cubic meter per hour
Power Supply	1 No. 220 V Socket & 1 USB

PHONE BOOTH

 4 persons



DIMENSIONS

Exterior	2500 x 1500 x 2200 mm
Interior	1337 x 2117 x 2337 mm
Weight	950 Kg
Floor Area	1337 x 2117 x 2337 mm
Door Size	930 x 2077 mm
Panel Size	800 x 2114 mm

ACCESSORIES

Lighting	Motion Sensor & LED Strips
Ventilation	2 x 35 cubic meter per hour
Power Supply	2 No. 220 V Socket & 1 USB

PHONE BOOTH

 4 persons



DIMENSIONS

Exterior	2500 x 2500 x 2200 mm
Interior	2337 x 2117 x 2337 mm
Weight	1370 Kg
Floor Area	2337 x 2117 x 2337 mm
Door Size	930 x 2077 mm
Panel Size	800 x 2114 mm

ACCESSORIES

Lighting	Motion Sensor & LED Strips
Ventilation	2 x 35 cubic meter per hour
Power Supply	2 No. 220 V Socket & 1 USB



024

EXIT

SG CLIPPER *DOORS*





PATCH FITTING DOOR



FRAMELESS HINGE DOOR



SOLID DOOR



SLIDING DOOR



SOLID ACOUSTIC DOOR 🔊



STILE DOOR 🔊



POCKET SLIDING DOOR 🔊



BIFLUSH DOOR



ALUMINIUM FRAME DOOR



WOODEN DOOR



SLIDING DOOR

ACOUSTIC PERFORMANCE – SINGLE GLAZING

SYSTEM	GLASS	ACOUSTICS
Sleek	10mm Toughened	34 dB
Sleek	12 mm Toughened	36 dB
Sleek	13.52 mm PVB Laminated	38 dB
Hexa	17.52 mm PVB Laminated	39 dB
Influence	6.8 mm Toughened	33 dB
Influence Door	10 mm Toughened	33 dB
Influence	10.8 mm Toughened	36 dB
Influence Door	13.52 mm PVB Laminated	33 dB

ACOUSTIC PERFORMANCE – DOUBLE GLAZING

SYSTEM	GLASS	ACOUSTICS
Influence	8.8 + 8.8mm PVB Laminated	39 dB
Influence	10 + 10 mm Toughened	40 dB
Influence	8.8mm + 8.8mm Acoustic PVB Laminated	42 dB
Influence	10 + 12 mm Toughened	43 dB
Influence	Full height glazed partition(10.8+12.8)	44 dB
Influence	Full height glazed partition(8.8+8.8AC)	45 dB
Influence	Full height glazed partition(10.8+8.8)	45 dB
Influence	Full height glazed partition(10.8+8.8AC)	46 dB
Influence	Placophonic BF13+Glasswool+Placophonic BF13	46 dB
Influence	10 Toughened + 11.52 PVB Laminated	49 dB
Influence	Full height glazed partition(10.8+12.8)	44 dB
Influence	Full height glazed partition(8.8+8.8AC)	45 dB

**SG CLIPPER
*HARDWARE
AND
ACCESSORIES***



DOOR HARDWARE FOR FRAMELESS GLASS DOOR



Hinges for Glass Doors



Patch Fittings



Glass Door Locks



Accessories

DOOR HARDWARE FOR STILE DOOR



Hinges



Door Closer



Offset Pull Handle



Master Key Cylinder



Mortise Lock



Lever Handle

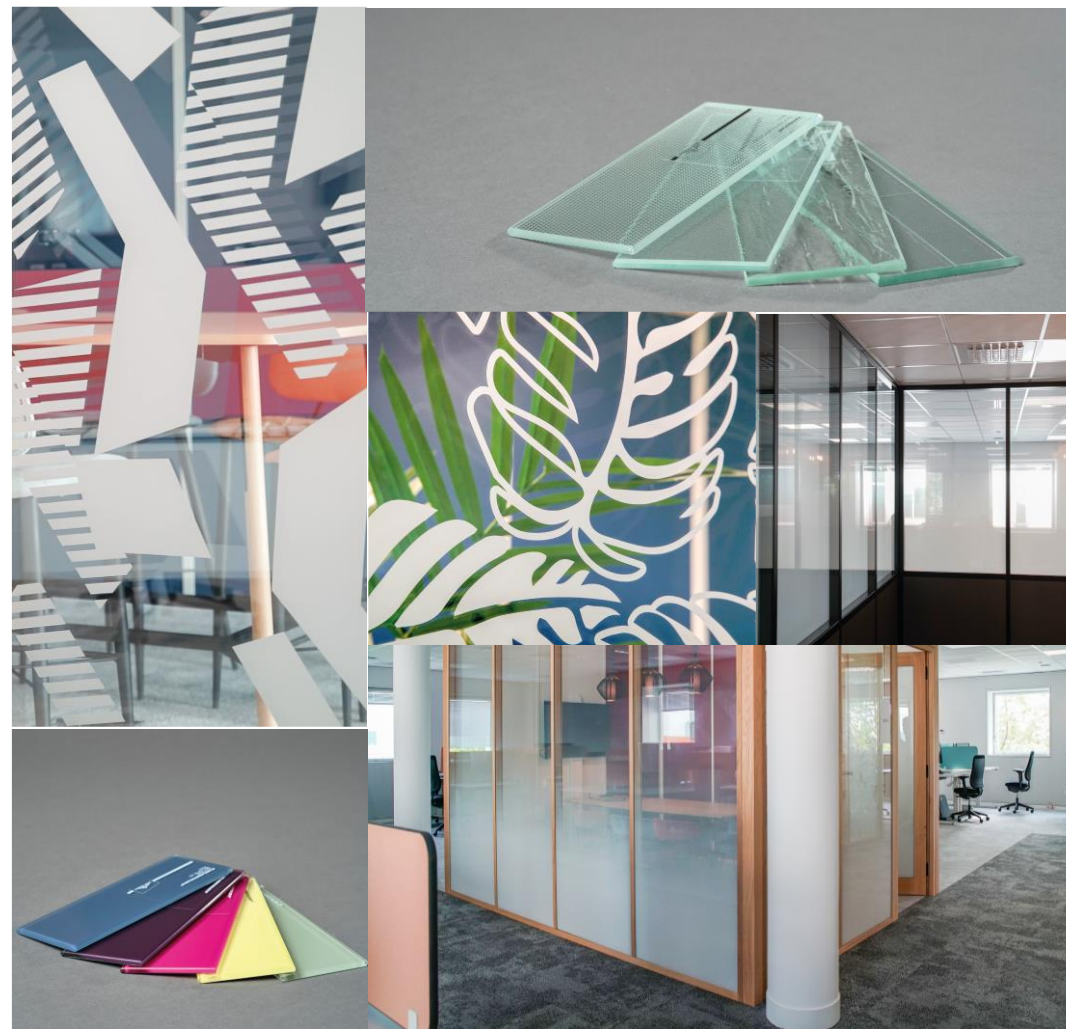
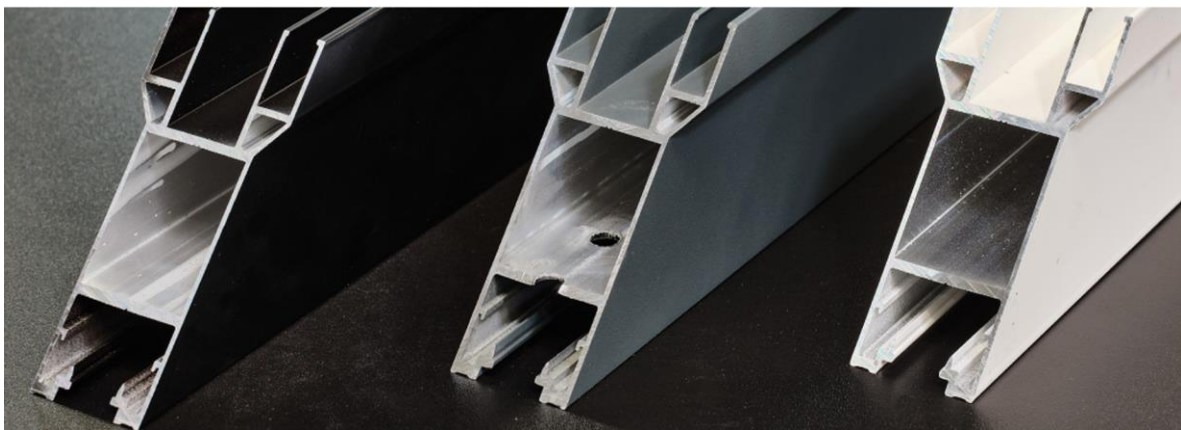
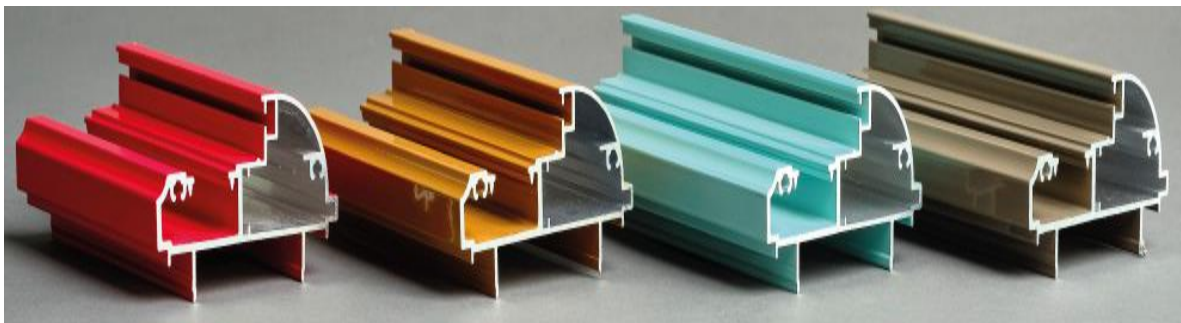


Concealed Flush Bolt



Drop Seal

FINISHES





SAINT-GOBAIN

GLASS



STADIP SILENCE

A single pane of STADIP SILENCE can lessen the sound to **47 dB**, depending on its thickness. Sound insulation values far exceeding **50 dB** can be achieved in a double layer construction.



PRIVA-LITE

At the flick of Switch, changes from Translucent to Transparent



GRADIENT FROSTED

Aesthetic Glazing that provides
both Privacy & Lighting



COLOUR LAMINATED

Laminated Glazing that is offered
in Multiple Colours





**THANK
YOU**

